



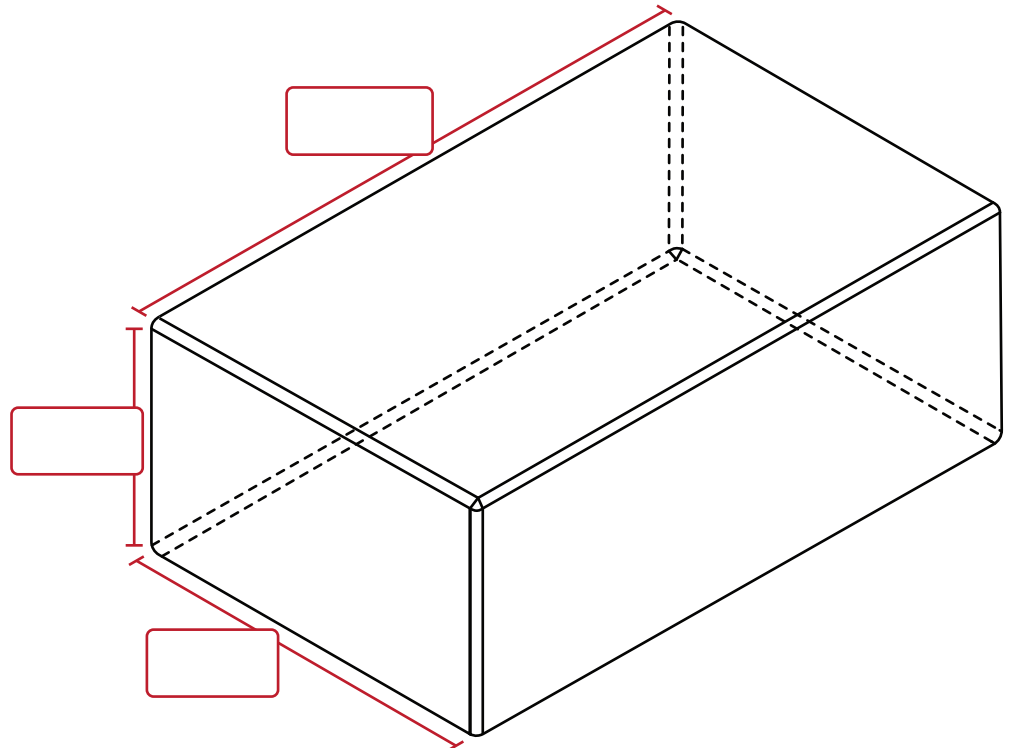
Directions: Please fill out all the information below. **Once completed, please email a copy to hello@rvtanksupply.com or upload it to your online order.** One of our experienced tank professionals will review the information and call you to go over every detail to make sure you get exactly what you are looking for.

STEP 1:

Part #	This tank will be used for:	This tank will contain:
Quantity:	<input type="checkbox"/> BOAT <input type="checkbox"/> RV OTHER: _____	

STEP 2:

- Enter tank dimensions (length, width, height)
- Use the fitting images to indicate fitting location:
 - Indicates a visible fitting (Top, Right, Front Side)
 - Indicates a hidden fitting (Bottom, Left, Backside)
- Most fittings we install will be female NPT (National Pipe Thread)



*** THIS TANK IS NOT FOR FUEL USE ***

STEP 3:

NAME:	COMPANY NAME:	EMAIL:	PHONE:
SHIP TO ADDRESS:			SHIP TO: <input type="checkbox"/> COMMERCIAL <input type="checkbox"/> RESIDENTIAL

STEP 4:

Email your completed drawing to hello@rvtanksupply.com or upload it to your online order. One of our experienced tank professionals will review the information and call you to go over every detail, to make sure you get exactly what you are looking for.



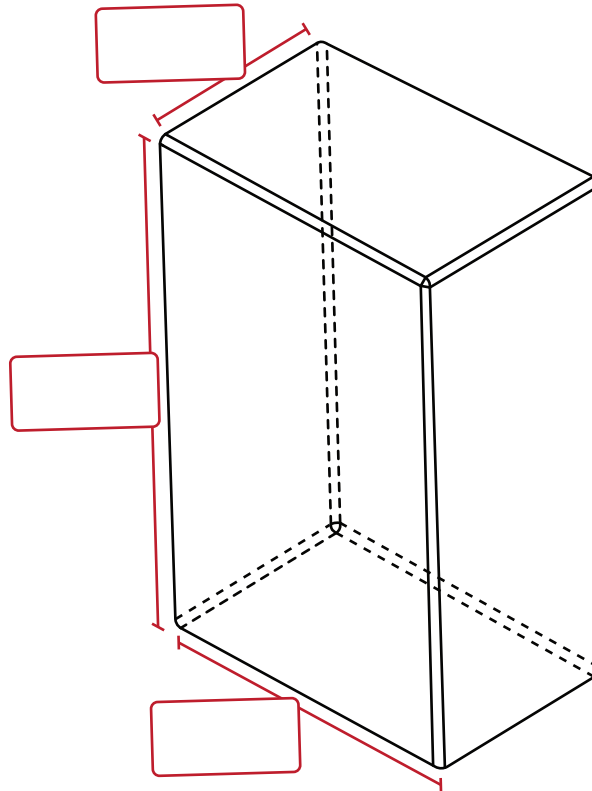
Directions: Please fill out all the information below. **Once completed, please email a copy to hello@rvtanksupply.com or upload it to your online order.** One of our experienced tank professionals will review the information and call you to go over every detail to make sure you get exactly what you are looking for.

STEP 1:

Part #	This tank will be used for: <input type="checkbox"/> BOAT <input type="checkbox"/> RV OTHER: _____	This tank will contain:
Quantity:		

STEP 2:

- Enter tank dimensions (length, width, height)
- Use the fitting images to indicate fitting location:
 - Indicates a visible fitting (Top, Right, Front Side)
 - Indicates a hidden fitting (Bottom, Left, Backside)
- Most fittings we install will be female NPT (National Pipe Thread)



*** THIS TANK IS NOT FOR FUEL USE ***

STEP 3:

NAME:	COMPANY NAME:	EMAIL:	PHONE:
SHIP TO ADDRESS:			SHIP TO: <input type="checkbox"/> COMMERCIAL <input type="checkbox"/> RESIDENTIAL

STEP 4:

Email your completed drawing to hello@rvtanksupply.com or upload it to your online order. One of our experienced tank professionals will review the information and call you to go over every detail, to make sure you get exactly what you are looking for.